

PARK 100

+ D400 Galvanised Paveslot

The Park 100 channel has benefits like no other channel system. Being manufactured from polymer concrete allows for a strong, robust, yet lightweight system, which also allows for a simpler installation process. Built into the PARK system is a 4mm Galvanised Edge Rail taking its load class ability up to D400. This channel comes complete with a discreet Galvanised 10mm Paveslot Grating, again, providing the channel suitable for D400 (40 tonnes) loading.

Details

Material: Polymer Concrete, Galvanised Steel

Load Class: D400 (40 Tonne)

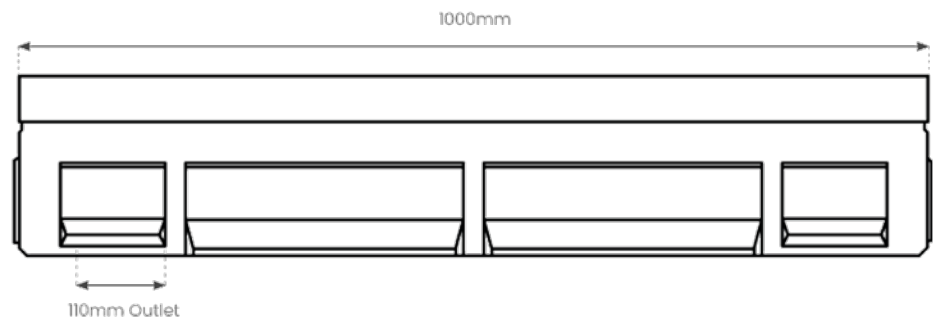
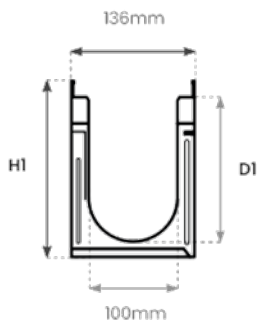
Length: 1000mm

Width (External): 100mm

Depth (Overall): 60/80/100/150/200/250mm

Grating: Galvanised Paveslot

Accessories: End Cap Outlet, End Cap, Sump Unit



Accessories

End Caps for the Park 100 Channel can be used at the end of your channel run to stop the flow of water.

End Cap Outlet for Park 100 Channel is to be used at the end of your channel run to allow water to be drained to external piping.

Sump Unit has an 110mm side connection point where pipes can be connected to drain away the surface water. Sump Units give you easy access to cleaning the channel.

